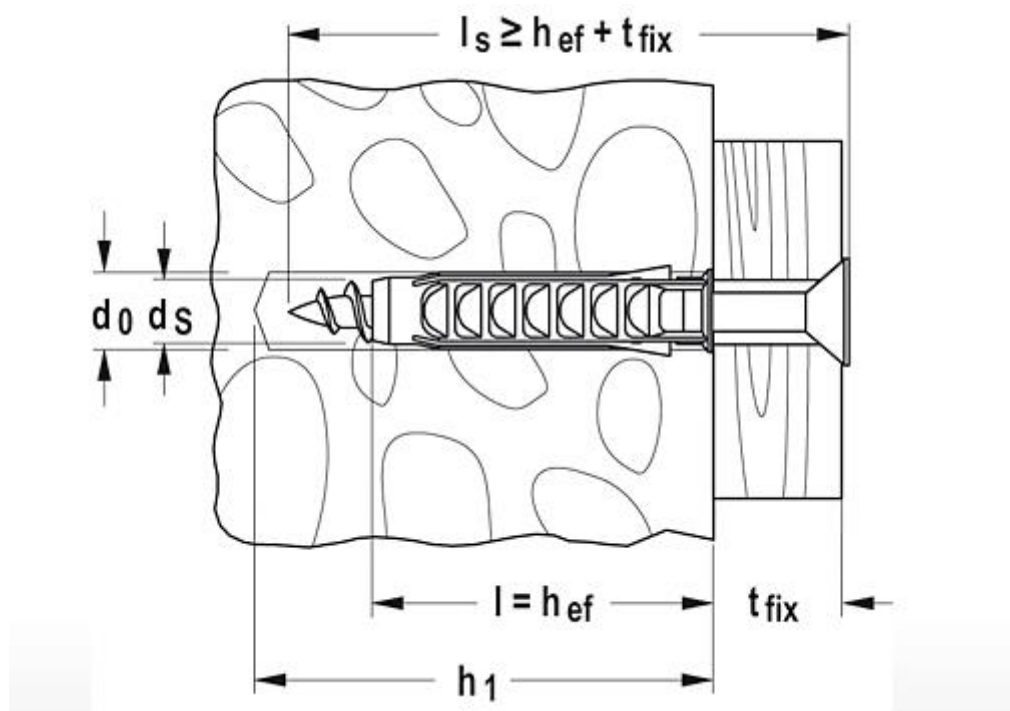


Дюбел с опорен пръстен, к-кт с винт/PZ

UX ф 8 x 50 мм, SK NV, блистер



Drill hole diameter	d_0	8	[mm]
Min. drill hole depth	h_1	70	[mm]
Min. panel thickness	d_p	9,5	[mm]
Anchor length	l	50	[mm]
Screw	$d_s \times l_s$	5 x 70	[mm]
Effect. anchorage depth	h_{ef}	50	[mm]
Drive		PZ2	
Card contents		5 x UX 8 x 50, 5 x chipboard screw 5 x 70	
Sales unit		10	[pcs]
GTIN (EAN Code)		4006209908730	